

Bathroom COLORE

Bathrooms designed with personality

2024



Bathroom COLORE

Through a choice of 64 finishes, Bathroom Colore gives you the ultimate design potential and flexibility. With our extensive range of décors, colours, basins, cabinets and accessories you can create the bathroom that mirrors your personality and reflects your tastes. The excitement of on-trend colour, the peace of natural woodgrains or the contemporary refinement of gloss, let us inspire you and start your journey of choice with Bathroom Colore.

Bathrooms designed with

Over the next few pages we will present some ideas of how the colours, textures and designs of our bathroom furniture range can combine to create a truly individual bathroom space.



Easy to
order in
simple
steps

4

personality



Easy to order in 4 simple steps

1 Choose your desired finish from our 64 décors
(Shown below)

2 Choose your wash basin from our range of ceramic and mineral cast designs
(Pages 16-27)

3 Choose your cabinet size
(Pages 16-29)

4 Choose your accessories, mirror and handles
(Pages 30-47)

Gloss



Stone & Metal Effect



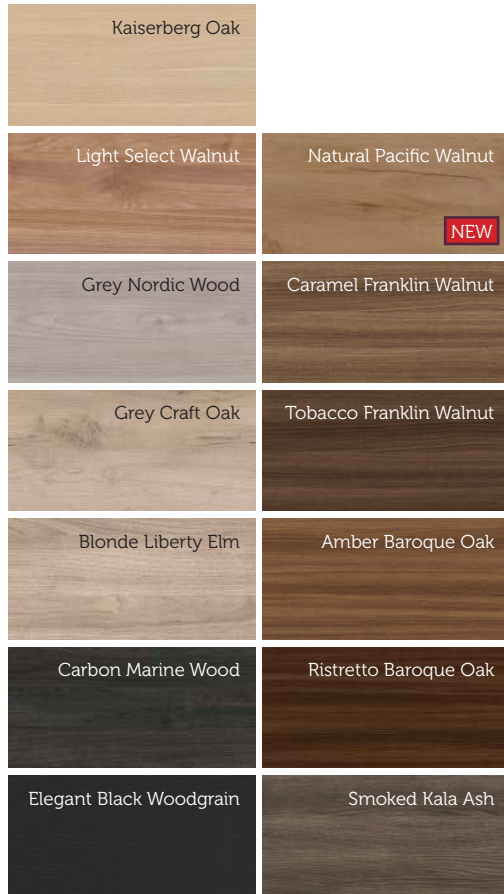
Plain Woodgrain



Sample Swatch Service

Choosing the perfect finish for your bathroom furniture is never an easy choice, and so we encourage our customers to take advantage of our sample swatch service to order up to five FREE colour swatches to be delivered to your address.

Woodgrain



Matt Plain



Shown here:
in White Chromix
with Manhattan Basin

Handles: No. 685 & 686
Tap: Black Matt Round
Basin Mixer
Mirror: Moon Rectangle



Shown here:
in Snow White Gloss
with Simplicity Plus Basin

Handle: No. 722
Tap: Black Matt Round
Basin Mixer
Mirror: Moon Round
Pan: Back to Wall
Bordo Pan
Accessories: Black Matt
Flush Plate



Shown here:

in Graphite Grey

with Simplicity Plus Basin

Handle: No. 621
Tap: Chrome Avra
Basin Mixer
Mirror: Ellipse
Pan: Back to Wall
Arco Pan Square
WC Cabinet: Mineral Cast Top
(to match basin)
Accessories: Square Flush
Button





Shown here:
in Reed Green
with Tribeca Basin

Handles: No. 706 & 707
Tap: Brass Brushed Avra
Basin Mixer
Mirror: Piazza
Pan: Wall Hung
Arco Pan Square
Accessories: Chrome Flush Plate

Shown here:

**in Alby Blue
Woodgrain**

with Simplicity Plus Basin

Handle: No. 709
Tap: Chrome
Contemporary
Round Basin Mixer

Mirror
Wall Cabinets: 810 High
Accessories: Chrome Towel Rail





Shown here:

in Toffee

with Round Arco Wing Basin
(220 Deep)

Handle: No. 727
Tap: Chrome Avra Basin Mixer
Mirror: Orco 3 (1200 wide)
Cabinet: Orco 3 (1200 wide)
Pan: Back to Wall Arco Pan Round
Accessories: Large Round Chrome
Flush Button

Cabinet Combination:

Two door wall hung 220 Deep
WC Floorstanding 220 Deep

Shown here:

in Grey Craft Oak

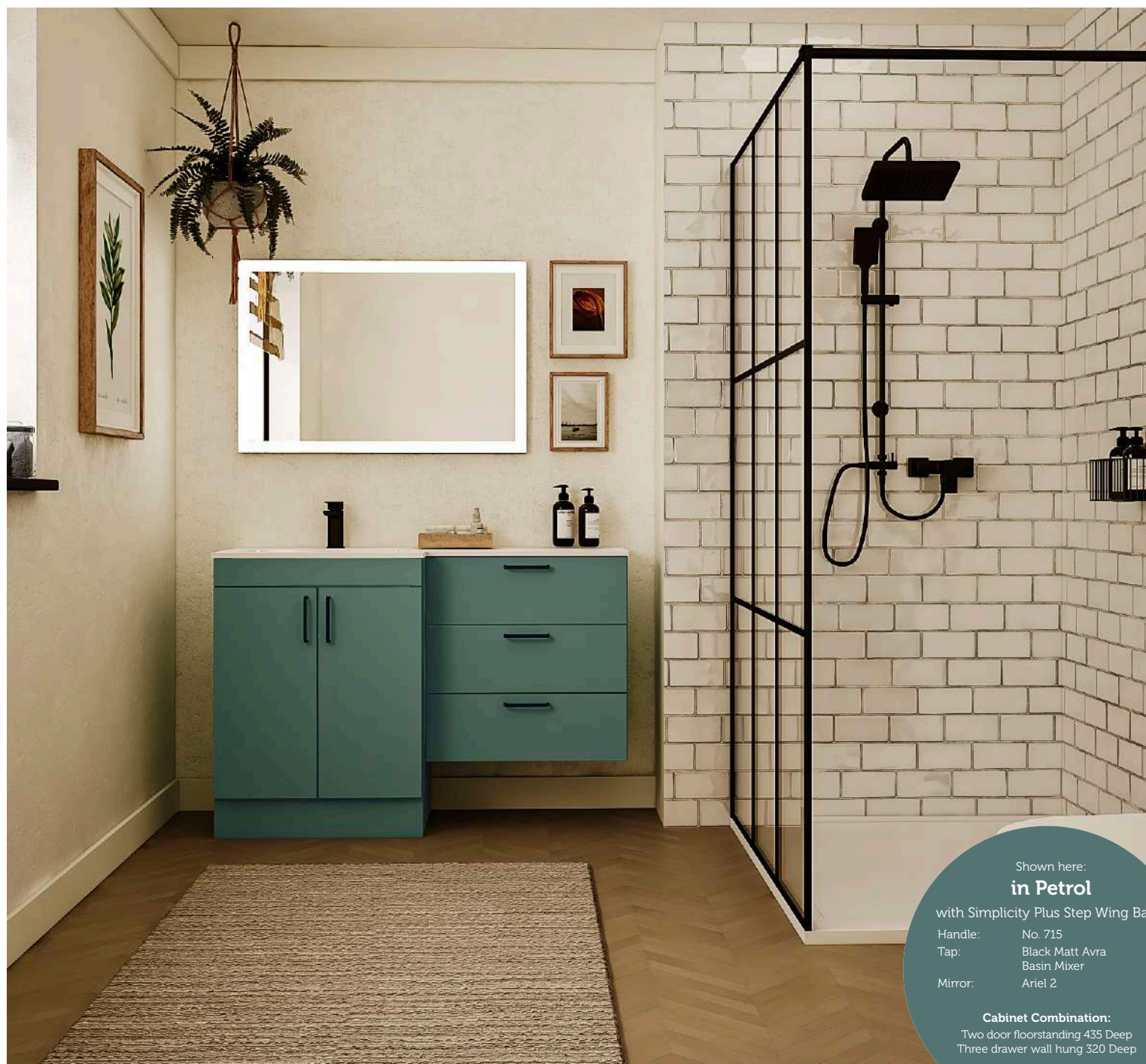
with Simplicity Plus Step Wing Basin

Handle: No. 693
Tap: Chrome Avra
Basin Mixer
Mirror: Piazza
Pan: Back to Wall
Bordo Pan
Accessories: Large Round Chrome
Flush Button

Cabinet Combination:

Two door floorstanding 435 Deep
WC floorstanding 320 Deep





Shown here:

in Petrol

with Simplicity Plus Step Wing Basin

Handle: No. 715

Tap: Black Matt Avra
Basin Mixer

Mirror: Ariel 2

Cabinet Combination:

Two door floorstanding 435 Deep
Three drawer wall hung 320 Deep

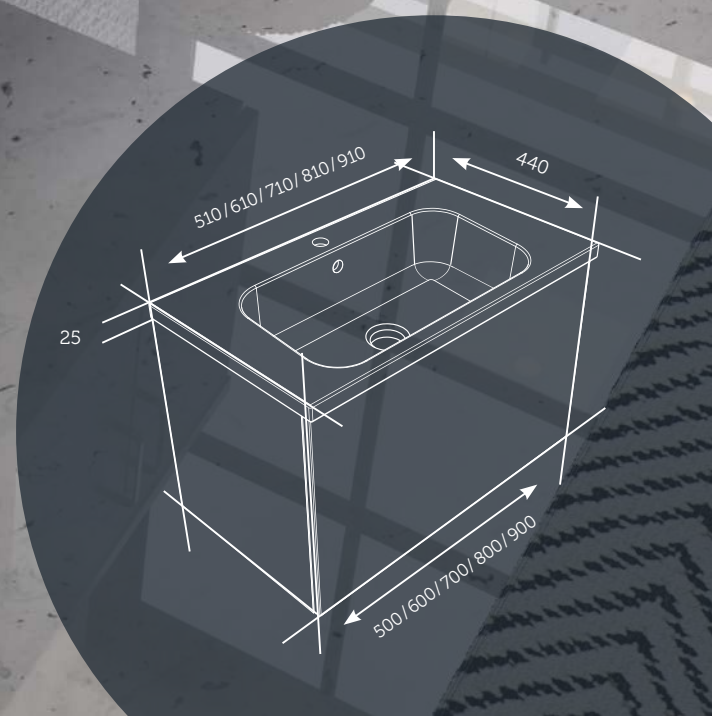
Shown here:
in Indigo Blue
with Eva Cloakroom Basin

Handle: No. 709
Tap: Chrome Avra
Mini Basin Mixer
Mirror: Apollo
Pan: Bordo Close Coupled
Accessories: Feature Glass Shelves



Bathroom COLORE

Basins & Cabinets	
Simplicity Plus	16
Manhattan	18
Tribeca	20
Round Arco Wing Combination	22
Simplicity Plus Step Wing Combination	24
Cloakroom - Manhattan Mini, Eva & Bordo	26
Additional Cabinets	28
Wall, WC Cabinets, Bath Panels & Matching Material	29
Mirror Cabinets	30
Mirrors	32
Handles	36
Lighting	38
Drawer Options	39
Pans & Cisterns	40
Basin Options	42
Brassware	44
Accessories	47
Colour Guide	
Sample Swatch Service	48
Lighting Safety Zones	66
Term & Conditions and Delivery Info	67



Simplicity Plus

A mineral cast basin combining contemporary slim lines and generous bowl size

Simplicity Plus - Mineral Cast

Two Door Wall Hung Cabinet



500mm Cabinet
Dimensions including Basin
512h x 510w x 440d
SW 510 - £604



600mm Cabinet
Dimensions including Basin
512h x 610w x 440d
SW 610 - £637



700mm Cabinet
Dimensions including Basin
512h x 710w x 440d
SW 710 - £681



800mm Cabinet
Dimensions including Basin
512h x 810w x 440d
SW 810 - £769



900mm Cabinet
Dimensions including Basin
512h x 910w x 440d
SW 910 - £824

One Deep Drawer Wall Hung Cabinet *



500mm Cabinet
Dimensions including Basin
512h x 510w x 440d
S1D 510 - £714



600mm Cabinet
Dimensions including Basin
512h x 610w x 440d
S1D 610 - £769



700mm Cabinet
Dimensions including Basin
512h x 710w x 440d
S1D 710 - £791



800mm Cabinet
Dimensions including Basin
512h x 810w x 440d
S1D 810 - £846



900mm Cabinet
Dimensions including Basin
512h x 910w x 440d
S1D 910 - £868

Two Drawer Wall Hung Cabinet **



500mm Cabinet
Dimensions including Basin
512h x 510w x 440d
S2D 510 - £802



600mm Cabinet
Dimensions including Basin
512h x 610w x 440d
S2D 610 - £846



700mm Cabinet
Dimensions including Basin
512h x 710w x 440d
S2D 710 - £890



800mm Cabinet
Dimensions including Basin
512h x 810w x 440d
S2D 810 - £912



900mm Cabinet
Dimensions including Basin
512h x 910w x 440d
S2D 910 - £934

Two Door Floorstanding Cabinet



500mm Cabinet
Dimensions including Basin
835h x 510w x 440d
SF 510 - £637



600mm Cabinet
Dimensions including Basin
835h x 610w x 440d
SF 610 - £659



700mm Cabinet
Dimensions including Basin
835h x 710w x 440d
SF 710 - £714



800mm Cabinet
Dimensions including Basin
835h x 810w x 440d
SF 810 - £791



900mm Cabinet
Dimensions including Basin
835h x 910w x 440d
SF 910 - £824

All cabinets are matched to the door fronts using the same material and finish
Unit height includes basin All prices include VAT

* One Deep Drawer Cabinet supplied with 'U' guard as standard
** Two Drawer Cabinet supplied with 'U' guard in top drawer only as standard



Manhattan

A ceramic basin standing 65mm high above the cabinet and with a feature thin rim edge

Manhattan - Ceramic

Two Door Wall Hung Cabinet



500mm Cabinet
Dimensions including Basin
562h x 505w x 400d
MW 505 - £604



600mm Cabinet
Dimensions including Basin
562h x 600w x 445d
MW 600 - £637



800mm Cabinet
Dimensions including Basin
562h x 805w x 455d
MW 805 - £769



1000mm Cabinet
Dimensions including Basin
562h x 1010w x 460d
MW 1010 - £934



A feature of this basin is that it sits 10mm above the cabinet creating an optical floating effect.

One Deep Drawer Wall Hung Cabinet *



500mm Cabinet
Dimensions including Basin
562h x 505w x 400d
M1D 505 - £714



600mm Cabinet
Dimensions including Basin
562h x 600w x 445d
M1D 600 - £769



800mm Cabinet
Dimensions including Basin
562h x 805w x 455d
M1D 805 - £846



1000mm Cabinet
Dimensions including Basin
562h x 1010w x 460d
M1D 1010 - £956

Two Drawer Wall Hung Cabinet **



500mm Cabinet
Dimensions including Basin
562h x 505w x 400d
M2D 505 - £802



600mm Cabinet
Dimensions including Basin
562h x 600w x 445d
M2D 600 - £846



800mm Cabinet
Dimensions including Basin
562h x 805w x 455d
M2D 805 - £912



1000mm Cabinet
Dimensions including Basin
562h x 1010w x 460d
M2D 1010 - £989

Two Door Floorstanding Cabinet



500mm Cabinet
Dimensions including Basin
885h x 505w x 400d
MF 505 - £637



600mm Cabinet
Dimensions including Basin
885h x 600w x 445d
MF 600 - £659

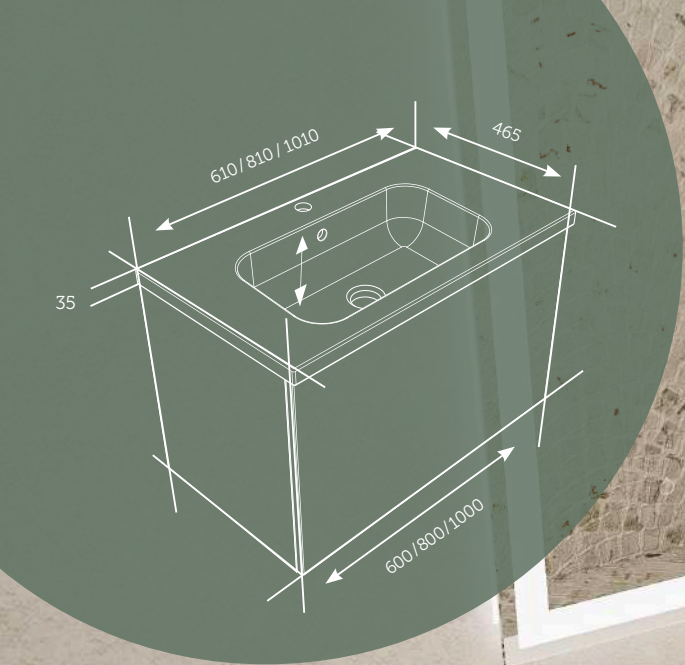


800mm Cabinet
Dimensions including Basin
885h x 805w x 455d
MF 805 - £791



1000mm Cabinet
Dimensions including Basin
885h x 1010w x 460d
MF 1010 - £934

Manhattan ceramic basins are subject to a manufacturing tolerance of $\pm 3\%$
All cabinets are matched to the door fronts using the same material and finish
Unit height includes basin All prices include VAT



Tribeca

A stylish rounded ceramic basin standing 35mm high above the cabinet

Tribeca - Ceramic

Two Door Wall Hung Cabinet



600mm Cabinet
Dimensions including Basin
522h x 610w x 465d
TW 610 - £637



800mm Cabinet
Dimensions including Basin
522h x 810w x 465d
TW 810 - £769



1000mm Cabinet
Dimensions including Basin
522h x 1010w x 465d
TW 1010 - £934

One Deep Drawer Wall Hung Cabinet *



600mm Cabinet
Dimensions including Basin
522h x 610w x 465d
T1D 610 - £769



800mm Cabinet
Dimensions including Basin
522h x 810w x 465d
T1D 810 - £846



1000mm Cabinet
Dimensions including Basin
522h x 1010w x 465d
T1D 1010 - £956

Two Drawer Wall Hung Cabinet **



600mm Cabinet
Dimensions including Basin
522h x 610w x 465d
T2D 610 - £846



800mm Cabinet
Dimensions including Basin
522h x 810w x 465d
T2D 810 - £912



1000mm Cabinet
Dimensions including Basin
522h x 1010w x 465d
T2D 1010 - £989

Two Door Floorstanding Cabinet



600mm Cabinet
Dimensions including Basin
845h x 610w x 465d
TF 610 - £659



800mm Cabinet
Dimensions including Basin
845h x 810w x 465d
TF 810 - £791

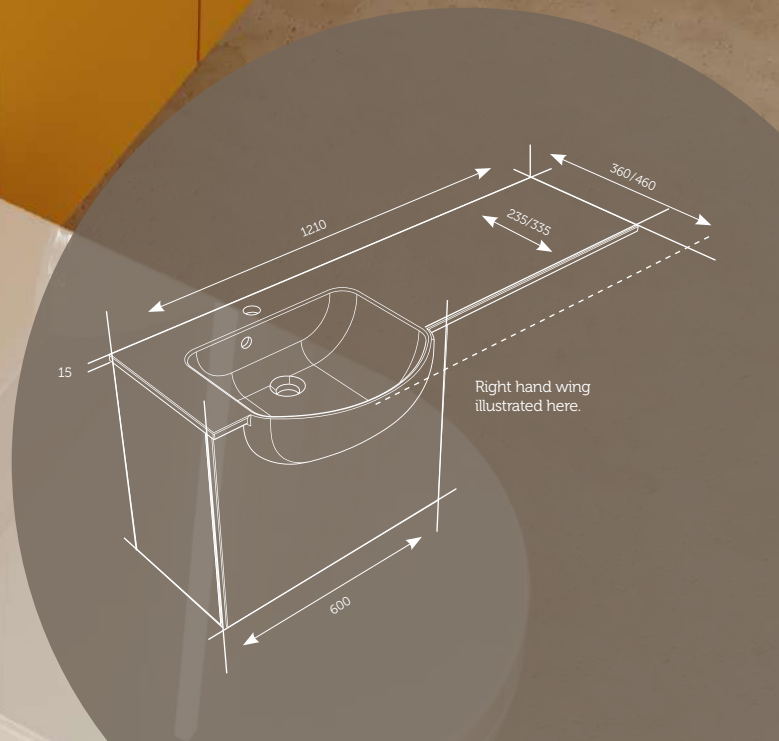


1000mm Cabinet
Dimensions including Basin
845h x 1010w x 465d
TF 1010 - £934

Tribeca ceramic basins are subject to a manufacturing tolerance of $\pm 3\%$
All cabinets are matched to the door fronts using the same material and finish
Unit height includes basin All prices include VAT

Round Arco Wing Combination

A sleek, uninterrupted one piece mineral cast winged basin across two cabinets for an elegant space saving furniture design. Available with the wing on the left or on the right hand side
Main image illustrates left hand wing.



Combi Round Arco Wing 1210/360 (Wing 235) - Mineral Cast

220 Deep Cabinets

Two door wall hung 600 wide cabinet
WC floorstanding 600 wide cabinet



1200mm Cabinet Combination
Dimensions including Basin
825h x 1210w x 360d
AWR 1210/2L - £1374
AWR 1210/2R - £1374

220 Deep Cabinets

Two door floorstanding 600 wide cabinet
WC floorstanding 600 wide cabinet



1200mm Cabinet Combination
Dimensions including Basin
825h x 1210w x 360d
AFR 1210/2L - £1429
AFR 1210/2R - £1429

Combi Round Arco Wing 1210/460 (Wing 335) - Mineral Cast

320 Deep Cabinets

Two door wall hung 600 wide cabinet
WC floorstanding 600 wide cabinet



1200mm Cabinet Combination
Dimensions including Basin
825h x 1210w x 460d
AWR 1210/3L - £1407
AWR 1210/3R - £1407

320 Deep Cabinets

Two door floorstanding 600 wide cabinet
WC floorstanding 600 wide cabinet



1200mm Cabinet Combination
Dimensions including Basin
825h x 1210w x 460d
AFR 1210/3L - £1429
AFR 1210/3R - £1429

320 Deep Cabinets**

Two drawer wall hung 600 wide cabinet
WC floorstanding 600 wide cabinet



1200mm Cabinet Combination
Dimensions including Basin
825h x 1210w x 460d
A2DR 1210/3L - £1594
A2DR 1210/3R - £1594

320 Deep Cabinets*

One deep drawer wall hung 600 wide cabinet
WC floorstanding 600 wide cabinet



1200mm Cabinet Combination
Dimensions including Basin
825h x 1210w x 460d
A1DR 1210/3L - £1572
A1DR 1210/3R - £1572

Please note the 'L' and 'R' in the product code refers to the worktop/wing side not the basin side

All cabinets are matched to the door fronts using the same material and finish
Unit height includes basin All prices include VAT

Toilet pan, seat, cistern/flush button are not included in price and must be ordered separately

* One Deep Drawer Cabinet supplied with 'U' guard as standard

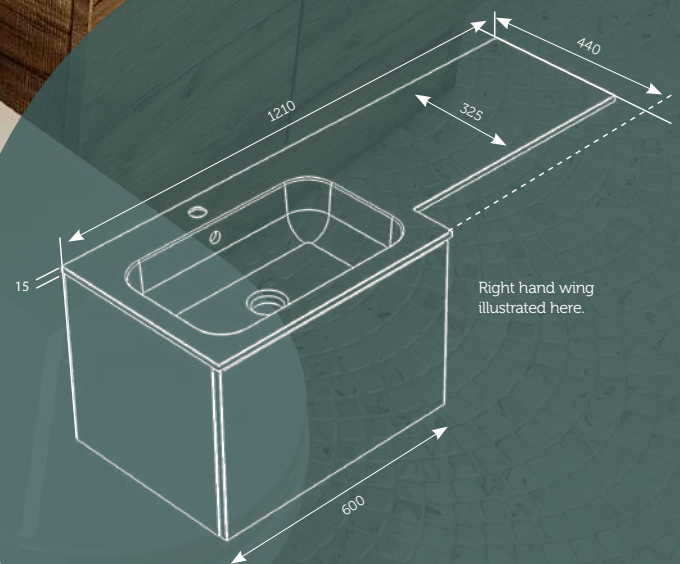
** Two Drawer Cabinet supplied with 'U' guard in top drawer only as standard

Available
March
2024

Simplicity Plus Step Wing Combination

Integrate a generous wash bowl size with a one piece mineral cast winged worktop to maximise the use of space whilst offering a contemporary design. Available with the wing on the left or the right-hand side

Main image illustrates Left hand wing.



NEW

Combi Simplicity Plus Step Wing 1210/440 (Wing 325) - Mineral Cast

435/320 Deep Cabinets

Two door wall hung 600 wide cabinet
Two door wall hung 600 wide cabinet



1200mm Cabinet Combination
Dimensions including Basin
835h x 1210w x 440d
SSWH1210/3L - £1429
SSWH1210/3R - £1429

435/320 Deep Cabinets

Two door floorstanding 600 wide cabinet
Two door wall hung 600 wide cabinet



1200mm Cabinet Combination
Dimensions including Basin
835h x 1210w x 440d
SSFH1210/3L - £1449
SSFH1210/3R - £1449

435/320 Deep Cabinets*

Two door wall hung 600 wide cabinet
Three drawer wall hung 600 wide cabinet



1200mm Cabinet Combination
Dimensions including Basin
835h x 1210w x 440d
SS3W1210/3L - £1629
SS3W1210/3R - £1629

435/320 Deep Cabinets**

Two door floorstanding 600 wide cabinet
Three drawer wall hung 600 wide cabinet



1200mm Cabinet Combination
Dimensions including Basin
835h x 1210w x 440d
SS3F1210/3L - £1649
SS3F1210/3R - £1649

435/320 Deep Cabinets

Two door wall hung 600 wide cabinet
WC floorstanding 600 wide cabinet



1200mm Cabinet Combination
Dimensions including Basin
835h x 1210w x 440d
SSWWC1210/3L - £1407
SSWWC1210/3R - £1407

435/320 Deep Cabinets

Two door floorstanding 600 wide cabinet
WC floorstanding 600 wide cabinet



1200mm Cabinet Combination
Dimensions including Basin
835h x 1210w x 440d
SSFWC1210/3L - £1429
SSFWC1210/3R - £1429

435/320 Deep Cabinets**

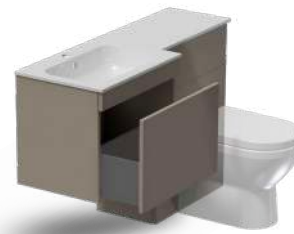
Two drawer wall hung 600 wide cabinet
WC floorstanding 600 wide cabinet



1200mm Cabinet Combination
Dimensions including Basin
835h x 1210w x 440d
SS2WWC1210/3L - £1594
SS2WWC1210/3R - £1594

435/320 Deep Cabinets*

One deep drawer wall hung 600 wide cabinet
WC floorstanding 600 wide cabinet



1200mm Cabinet Combination
Dimensions including Basin
835h x 1210w x 440d
SS1WWC1210/3L - £1572
SS1WWC1210/3R - £1572

Please note the 'L' and 'R' in the product code refers to the worktop wing side not the basin side

All cabinets are matched to the door fronts using the same material and finish
Unit height includes basin All prices include VAT

Toilet pan, seat, cistern/flush button are not included in price and must be ordered separately

* One Deep Drawer Cabinet supplied with 'U' guard as standard

** Two Drawer Cabinet supplied with 'U' guard in top drawer only as standard



Manhattan Mini



Eva

Bordo



Cloakroom

Three options of cloakroom sized washbasins including a choice of rounded, high or framed rim basins in a choice of mineral cast or ceramic finishes.

Eva Mineral Cast

220 Deep Cabinets

One door wall hung cabinet



390mm Cabinet
Dimensions including Basin
592h x 400w x 220d
EW 400L - £318
EW 400R - £318

220 Deep Cabinets

One door tall wall hung cabinet



390mm Cabinet
Dimensions including Basin
715h x 400w x 220d
EWR 400L - £329
EWR 400R - £329

220 Deep Cabinets

One door floorstanding cabinet



390mm Cabinet
Dimensions including Basin
915h x 400w x 220d
EF 400L - £362
EF 400R - £362

Manhattan Mini Ceramic

215 Deep Cabinets

One door wall hung cabinet



390mm Cabinet
Dimensions including Basin
592h x 400w x 220d
MW 400L - £351
MW 400R - £351

215 Deep Cabinets

One door tall wall hung cabinet



390mm Cabinet
Dimensions including Basin
715h x 400w x 220d
MWR 400L - £373
MWR 400R - £373

215 Deep Cabinets

One door floorstanding cabinet



390mm Cabinet
Dimensions including Basin
915h x 400w x 220d
MF 400L - £395
MF 400R - £395

Bordo Ceramic

285 Deep Cabinets

One door wall hung cabinet



440mm Cabinet
Dimensions including Basin
517h x 450w x 285d
BW 450L - £417
BW 450R - £417

285 Deep Cabinets

One door tall wall hung cabinet



440mm Cabinet
Dimensions including Basin
640h x 450w x 285d
BWR 450L - £439
BWR 450R - £439

285 Deep Cabinets

One door floorstanding cabinet



440mm Cabinet
Dimensions including Basin
840h x 450w x 285d
BF 450L - £483
BF 450R - £483

Additional Cabinets

Mirrored Wall Cabinets

610 High

Two frameless double sided mirror doors with raised bottom shelf for handleless opening
One MFC shelf (135 Deep Cabinets)
One glass shelf (210 Deep Cabinets)
Comes with a Light Grey back



135mm Deep Cabinet
Dimensions
610h x Varies w x 135d

500 wide
MW61 50/1FL - £609
600 wide
MW61 60/1FL - £616
700 wide
MW61 70/1FL - £638
800 wide
MW61 80/1FL - £660

210mm Deep Cabinet
Dimensions
610h x Varies w x 210d

500 wide
MW61 50/2FL - £609
600 wide
MW61 60/2FL - £616
700 wide
MW61 70/2FL - £638
800 wide
MW61 80/2FL - £660

Mirrored Wall Cabinets

810 High

Two frameless double sided mirror doors with raised bottom shelf for handleless opening
One MFC shelf (135 Deep Cabinets)
One glass shelf (210 Deep Cabinets)
Comes with matching back



135mm Deep Cabinet
Dimensions
810h x Varies w x 135d

500w
MW81 50/1FL - £637
600w
MW81 60/1FL - £644
700w
MW81 70/1FL - £666
800w
MW81 80/1FL - £688

210mm Deep Cabinet
Dimensions
810h x Varies w x 210d

500w
MW81 50/2FL - £637
600w
MW81 60/2FL - £644
700w
MW81 70/2FL - £666
800w
MW81 80/2FL - £688

Fitted Cabinet Lighting

Flat chrome bezel 30mm natural white 1.5W cabinet lights IP44. Supplied pre-machined and supplied loose for installation on site with 2m leads. (Driver not included). Simply add code to end of cabinet part number and cost will be automatically added. Cannot be retro-fitted.



One light per shelf 500-600 wide



Two lights per shelf 700-800 wide

To suit Cabinet	Location	Order Code	500/600	700/800
610 High	Below bottom shelf	T1	£68	£136
810 High	Above aperture & below bottom shelf	T2	£136	£272
Driver	Cabinet Driver 240v IP44 12v 15w	T123DRIVER	£40	

The driver will power up to six inset lights, please ensure when planning that the driver can be located within 2m of all the lights, or order additional drivers for different areas of the bathroom. Supplied with 2m mains lead and a 6 way connector, Caution: DO NOT USE with domestic dimmer switches.



Wall, WC Cabinets, Bath Panels & Matching Material

Mid Height Wall Cabinets



Mirrored Door

300mm wide Cabinet
One full height double sided mirror door inc No. 619 handle
Three glass shelves

300mm wide Cabinet
MIDI 30/2FLR - £593
1150h x 300w x 210d
MIDI 30/2FLL - £593
1150h x 300w x 210d



Cabinet Finish Door

300 & 400mm wide Cabinets
One full height door
Three glass shelves

300mm wide Cabinet
TW 30/2R - £406
1500h x 300w x 220d
TW 30/2L - £406
1500h x 300w x 220d

400mm wide Cabinet
TW 40/2R - £428
1500h x 400w x 220d
TW 40/2L - £428
1500h x 400w x 220d

WC Cabinets

Two removable fronts
One removable matching top. Please specify 'Matching Top' or 'Mineral Cast'
Toilet pan, seat, cistern/flush button are not included in the price and must be ordered separately.



500mm Cabinet
828h x 500w x 220d
Cabinet Matching Top
WC 50/2 - £375
Mineral Cast Top
WC 50/2MT - £494



500mm Cabinet
1033h x 500w x 220d
Cabinet Matching Top
WC 50/2M - £415
Mineral Cast Top
WC 50/2MWT - £604

600mm Cabinet
828h x 600w x 220d
Cabinet Matching Top
WC 60/2 - £375
Mineral Cast Top
WC 60/2MT - £494

600mm Cabinet
1033h x 600w x 220d
Cabinet Matching Top
WC 60/2M - £415
Mineral Cast Top
WC 60/2MWT - £604

Mineral Cast WC Tops match Simplicity Plus & Round Arco Wing basins.
(Please note: Mineral Cast WC Tops do not match Simplicity Plus Step Wing basins.)

Bath Panels



Bath Front Panel

550mm x 1700mm
BP17/5F - £153
550mm x 1800mm
BP18/5F - £164



Bath End Panel

550mm x 700mm
BP7/5E - £76
550mm x 800mm
BP8/5E - £83



Bath Panel Plinth

200mm x 1800mm
BPP18/2F - £83
200mm x 800mm
BPP8/2F - £43



Please state **height A** up to: 2000
Please state **width B** up to: 1300

Cut & Edged Material

Suitable for special sizes. To suit all Matching Front finishes. Cut & Edged all round

To calculate cost: Length (A) in mtr x Width (B) in mtr x Price. Grain direction runs parallel to the width (B)

MMF/18 - £205
Price per sq/m (Min Order: £100)

UGET23 - £7
Price per metre
Matching edging tape, un-glued

LED Mirror Cabinets

Lambro

Mirror sided cabinet with double sided mirrored LED door with diffused cool white LED inset border & worktop striplight.



Single Door
LAMBRO 1 - £689
700h x 500w x 138d

Double Door
LAMBRO 2 - £849
700h x 600w x 138d

Lunar

Recessed matt black cabinet with diffused tunable LED illuminated border double sided mirror door.



Single Door
LUNAR - £799
700h x 500w x 116d (recessed)



Lambro



Lunar



Orco

Mirror sided cabinet with double sided mirrored door and diffused cool white LED edged side panels & worktop striplight.



Single Door
ORCO 1 - £799
700h x 564w x 130d



Double Door
ORCO 2 - £899
700h x 664w x 130d



Triple Door
ORCO 3 - £999
700h x 1200w x 130d

Order Code	Portrait	Landscape	H x W x D	240 Volt	Wattage	IP44	Light Temperature	Touch/Infrared Sensor	Dimmable	Shaver Socket	USB Charging	Bluetooth Speakers	Demister Pad	Shelves	Worktop Task lighting	Recessed	Price
LUNAR	●		700 x 500 x 116	●	25	●	Tunable	●	●	●	●		●	2		●	£799
LAMBRO 1	●		700 x 500 x 138	●	25.5	●	Cool	●		●			●	2	●		£689
LAMBRO 2	●		700 x 600 x 138	●	36	●	Cool	●		●			●	2	●		£849
ORCO 1	●		700 x 564 x 138	●	23.1	●	Cool	●		●		●	●	2	●		£799
ORCO 2	●		700 x 664 x 138	●	25	●	Cool	●		●		●	●	2	●		£899
ORCO 3		●	700 x 1200 x 138	●	28.8	●	Cool	●		●		●	●	2	●		£999

LED Mirrors

Moon

Cool white LED illuminated mirror with matt black floating edge frame.



Rectangle Portrait
MOON RT - £279
700h x 500w



Round
MOON RD - £219
600 Diameter



Ellipse

Natural white LED backlit illuminated mirror.



Round
ELLIPSE - £299
600 Diameter



Magra

Tunable LED illuminated backlit diffused boarder mirror.



Round
MAGRA - £319
600 Diameter



Apollo

Tunable multi spot LED illuminated mirror.



Rectangular Portrait
APOLLO - £199
500h x 390w



Espa

Diffused cool white LED illuminated strip mirror
Battery powered for cable free installation.



Rectangular Portrait
ESPA 50 - £279
650h x 500w



Winchester

Diffused cool white LED illuminated strip mirror.



Rectangular Portrait or
Landscape
WINCHESTER - £289
700 x 500



Oxford

Diffused cool white LED illuminated inset border mirror
with soft radiused corners.



Rectangular Portrait or
Landscape
OXFORD 60 - £449
800 x 600



Zen

Diffused tunable LED illuminated border mirror.



Rectangle Portrait
ZEN - £329
800h x 600w



Piazza

Diffused natural white LED illuminated inset border mirror.



Rectangular Portrait
or Landscape
PIAZZA - £279
800 x 600



Ariel

Diffused tunable LED illuminated border mirror.



Rectangular Portrait
or Landscape
ARIEL 1 - £279
600 x 500



Rectangular Portrait or Landscape
ARIEL 2 - £379
600 x 900



Rectangular Portrait or Landscape
ARIEL 3 - £429
600 x 1150



Chiaro

Diffused natural white LED illuminated strip mirror.



Rectangle Portrait
CHIARO - £239
700h x 600w

Mirrors

Ovale



Landscape or portrait
plain mirror with soft
radius corners.

OM 60 - £239
OM 90 - £259
OM 120 - £299

Universal



Landscape or portrait
plain mirror with square
corners.

MIR 330 - £166
MIR 385 - £181
MIR 60 - £237
MIR 70 - £255
MIR 80 - £278

Order Code	Portrait	Landscape	H x W x D	240 Volt	Wattage	IP44	Light Temperature	Touch/Infrared Sensor	Dimmable	Shaver Socket	Demister Pad	Price
Apollo	•		500 x 390 x 57	•	9	•	Tunable	•	•	•	•	£199
Moon Rectangle	•		700 x 500 x 63	•	47	•	Cool	•			•	£279
Moon Round			Ø600 x 63	•	32	•	Cool	•			•	£219
Chiaro	•		700 x 600 x 35	•	6	•	Natural	Switch				£239
Ellipse			Ø600 x 25	•	32	•	Natural	Switch			•	£299
Espa (Battery)	•		650 x 500 x 30	8xAA	4.4	•	Cool	Switch				£279
Magra			Ø600 x 35	•	23	•	Tunable	•			•	£319
Zen	•		800 x 600 x 28	•	21	•	Tunable	•	•		•	£329
Oxford	•	•	800 x 600 x 35	•	45	•	Cool	•			•	£449
Piazza	•	•	800 x 600 x 30	•	45	•	Natural	•			•	£279
Ariel 1	•	•	600 x 500 x 30	•	10	•	Tunable	•	•		•	£279
Ariel 2	•	•	600 x 900 x 30	•	16	•	Tunable	•	•		•	£379
Ariel 3	•	•	600 x 1150 x 30	•	19.5	•	Tunable	•	•		•	£429
Winchester	•	•	700 x 500 x 55	•	35	•	Cool	•		•	•	£289
Plain Mirrors												
OM 60	•	•	450 x 600 x 30									£239
OM 90	•	•	450 x 900 x 30									£259
OM 120	•	•	450 x 1200 x 30									£299
MIR 330	•	•	655 x 330 x 30									£166
MIR 385	•	•	655 x 385 x 30									£181
MIR 60	•	•	900 x 600 x 30									£237
MIR 70	•	•	900 x 700 x 30									£255
MIR 80	•	•	900 x 800 x 30									£278

Handles

A wide selection of handles are available in a range of finishes chosen to enable you to design your perfect bathroom. All handles are inclusive when selected with a cabinet. Please note, one handle is supplied per door/drawer front. If additional handles are required, they must be ordered separately and additionally charged as detailed below.

Contemporary Chrome Handle



No. 721 (65 wide / 32 centres)
£17

Contemporary Satin Brass Handle



No. 723 (65 wide / 32 centres)
£17

Contemporary Matt Black Handle

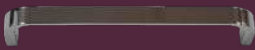


No. 722 (65 wide / 32 centres)
£17

Chrome Knob & 'D' Handle



No. 710 (25 wide / Single centre)
£7

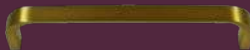


No. 709 (134 wide / 128 centres)
£17

Brushed Brass Knob & 'D' Handle



No. 718 (25 wide / Single centre)
£11



No. 717 (134 wide / 128 centres)
£14

Matt Black Knob & 'D' Handle



No. 716 (25 wide / Single centre)
£11



No. 715 (134 wide / 128 centres)
£14

Antique Black 'D' Handle



No. 727 (170 wide / 160 centres)
£11



No. 728 (328 wide / 320 centres)
£14

Square Satin Brass 'D' Handles



No. 706 (188 wide / 160 centres)
£11



No. 707 (358 wide / 320 centres)
£14

Matt Black Slim Curve "D" Handle



No. 685 (175 wide / 160 centres)
£11



No. 686 (335 wide / 320 centres)
£14

Matt Black Frame Handle



No. 694 (168 wide / 160 centres)
£11

Please note all handles are supplied loose for fitting on site. We do not drill cabinet fronts for handles.

All handles, brassware & accessories have been selected to complement one another. Due to different materials being used shading differences may apply.

Chrome Square 'D' Handles



Small
No. 621 (120 wide / 96 centres)
£7



Medium
No. 622 (220 wide / 192 centres)
£7



Large
No. 623 (358 wide / 320 centres)
£7

Polished Nickel Bar Handles



Small
No. 724 (46 wide / 32 centres)
£7



Medium
No. 725 (174 wide / 160 centres)
£14



Large
No. 726 (334 wide / 320 centres)
£17

Chrome Bow Handle



No. 692 (240 wide / 160 centres)
£11



No. 693 (385 wide / 320 centres)
£14

Chrome Hourglass Knob



No. 619 (19 diameter / Single centre)
£7

Push to Open

Push to Open Cabinet Doors

Handleless Cabinet door option is inclusive.



Push to Open Cabinet Drawers

Handleless Cabinet drawer option is subject to a surcharge.



CODE: HANDLELESS
£45 per drawer surcharge
Please note when the handleless option is ordered the soft close systems are removed.

LED Mirror Lighting

Loop Round LED Mirror Light

75mm Diameter - Clip On

12V NW IP44



Chrome finish

Kit (Inc Driver)
LT 248K - £113

Extra Light
LT 248 - £73

75 diameter x 26d supplied with a 2 metre cable. 3.6 Watt.
Clip suitable for mirrors up to 6mm thick.
All kits are supplied with a 15 watt driver for up to 4 lights.
LED operating life of upto 50,000 hours. Zone 2 compatible.

Zone 2



Pulse Square LED Mirror Light

75mm Square - Clip On

12V NW IP44



Chrome finish

Kit (Inc Driver)
LT 249K - £113

Extra Light
LT 249 - £73

75 square x 27d supplied with a 2 metre cable. 4.8 Watt
Clip suitable for mirrors up to 6mm thick.
Kit includes 15 watt driver for up to 3 lights.
LED operating life of upto 50,000 hours. Zone 2 compatible.

Zone 2



Zone 2

Stretches to 60cm outside the bath,
shower or water outlet of basin
See back pages for more information

Aalto LED Over Mounted Light

300mm Wide - Mirror or Cabinet

240V NW IP44



Chrome finish

LT 250 - £113

Mains operated 240v 5.0 Watt.
300w x 108d x 40h supplied with a 0.8 metre cable.
Clip to mirror edge or screw fit to top panels
(adapter and screws supplied).
LED operating life of upto 50,000 hours. Zone 2 compatible.

Zone 2



Drawers

Standard Supplied Drawers (For Handle Drawer Opening)

As part of our commitment to quality, our drawer boxes offer many premium features. In a sleek minimalist anthracite metal finish with no cover caps or access holes. Constructed with solid 16mm co-ordinated bases and metal backs for strength and stability with soft close full extension runners.

Drawer heights of 101mm and 139 mm for standard drawers, and 187mm for deep drawers offering maximum storage height. Drawerboxes can be adjusted both vertically and horizontally, with a third tilt adjustment for maximum alignment

Push To Open Drawers (For Handleless Drawer Opening)

Push to Open Cabinet Drawers are subject to a surcharge of £45 per drawer. Special push to open drawer box mechanism will be supplied. If this option is required please quote order code 'HANDELESS' on your order. Please note that when the Push to Open option is ordered, the soft close systems and front door buffers are removed.

Please note: Drawers cannot be retrofitted for the 'Push to Open' option. If required please specify at point of order.

Illuminated Drawers

Battery powered light fittings are available to illuminate drawer contents automatically when opening. Supplied with a removable factory fitted re-chargeable battery to the rear of each drawer. Please note, illuminated lights are not suitable for the top drawer in Two Drawer Wall Hung Cabinets due to the shaped U guard.

Drawer heights of 101mm & 139mm for standard drawers, and 187mm for deep drawers in the same style as Push to Open drawers. These drawers will be supplied with standard soft close or Push to Open runners depending on handle or handleless option chosen.

The Illuminated Drawer box option costs £129 per drawer. If this option is required use order code 'DLIGHT' on your order. Not suitable for the top drawer in Two Drawer Wall Hung Cabinets.

Shaped 'U' Drawer Guards

To allow plumbing access, our drawer units are supplied with 'U' guards to the below standard configurations:

Single Deep Drawer Cabinets

As standard - the drawerbox will be supplied with a 'U' guard.



Two Drawer Cabinets

As standard - the top drawerbox will be supplied with a 'U' guard, the bottom drawerbox will have a full drawer/no 'U' guard.



Please Note:

If you want to change the 'U' guard specification, either to receive a full drawer rather than a U guard, or to have both drawers in a two drawer cabinet with 'U' guards, then this must be specified at the point of order and is subject to a surcharge of £25 per drawer changed.



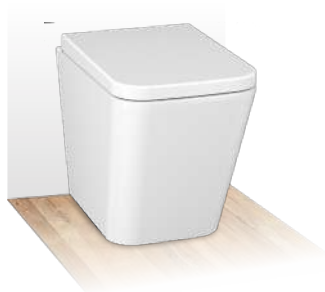
Pans & Cisterns

Ceramic Back to Wall Pans



Arco Pan Round
Including soft close quick release seat
360w x 545d x 420h

ARCO R BTW PAN - £329



Arco Pan Square
Including soft close quick release seat
350w x 545d x 410h

ARCO SQ BTW PAN - £329



Bordo Pan
Including soft close seat
355w x 540d x 400h

BORDO BTW PAN - £529



Levanto Pan
Including soft close seat
370w x 510d x 400h

LEV PAN SET - £409

Ceramic Wall Hung Pans

All Wall Hung Pans require a WCIB fixing frame which must be ordered separately.



Arco Pan Round
Including soft close quick release seat
360w x 550d x 325h

ARCO R WH PAN - £349



Arco Pan Square
Including soft close quick release seat
340w x 555d x 325h

ARCO SQ WH PAN - £349



Bordo Pan
Including soft close seat
355w x 500d x 345h

BORDO WH PAN - £429



Levanto Pan
Including soft close seat
370w x 520d x 330h

LEV WH PAN - £319

Pan height dimension shown do not include seat.



Bordo Close Coupled Pan & Cistern
Including soft close seat
355w x 620d x 400/785h

BORDO CC SET - £699

Wall Hung WC Frame

To suit cabinet depths 220 & 320.
Depth & height adjustable frame.

To suit wall hung pans.
Pan not included.

Supplied with 198mm long WC fixing bolts.
Adjustable 345w x 290-340h x 220-400d.
Passes 400kg load test based on EN997.



WCIB - £329

Concealed Cistern

Concealed cistern are pneumatically operated and can be ordered with a choice of six flush buttons or three flush plates. Please note: The cistern is included in the flush button/plate price.



- Our concealed WC cisterns are manufactured in the UK and fully comply with the latest water conservation regulations.
- The cisterns have dual flush technology and are factory set for 6ltr full or 4ltr reduced flush but can be adjusted to reduce water usage further to 5/3ltr or 4/2.6ltr flush settings.
- All our WC cabinets are factory prepared to accept our concealed cisterns.
- Cisterns are supplied loose for installation on site which are easy to install with push fit plumbing fittings.
- All our WC cabinets have removable front panels for easy access to maintenance of the cistern.
- Cisterns are fitted with an insulation jacket to reduce noise and condensation.
- Cistern Dimensions - 460w x 369h x 125d.

Flush Button Operated Cisterns

Suits 828 & 1033 High WC Cabinets



Large Round Button
In Chrome & Cistern
(73.5mm round)
ATDVCGC - £285



Large Round Button
In Matt Black & Cistern
(73.5mm round)
ATDVCGBL - £285



Large Round Button
In Brushed Brass & Cistern
(73.5mm round)
ATDVCGBR - £285



Small Round Button
In Chrome & Cistern
(51mm diameter)
ATDVC - £275



Square Button
In Chrome & Cistern
(73.5mm square)
ATDVCS - £275



Small Palm Push Button
In Chrome & Cistern
(51mm diameter)
ATDVCPB - £275

The small Palm Push Button is single flush operation only designed for ease of use for those suffering from impaired mobility.

Flush Plate Operated Cisterns

Suits 1033 High WC Cabinets only



828 High 1033 High
Flush plates are only suitable for 1033 High WC cabinets



Dual Flush Plate
In Matt Black & Cistern
(242w x 156h)
ATDVCABL - £295



Dual Flush Plate
In Chrome & Cistern
(242w x 156h)
ATDVCPC - £295



Dual Flush Plate
In Brushed Brass & Cistern
(242w x 156h)
ATDVCPR - £295

Basins

Simplicity Plus

A mineral cast basin combining contemporary slim lines and generous bowl size

Manhattan

A ceramic basin standing 65mm high above the cabinet with a feature thin rim edge

Tribeca

A stylish rounded ceramic basin standing 35mm high above the cabinet

Round Arco Wing Combination

A sleek, uninterrupted one piece mineral cast winged basin across two cabinets for an elegant space saving furniture design

Simplicity Plus Step Wing Combination

Integrate a generous wash bowl size with a one piece mineral cast winged worktop to maximise the use of space whilst offering a contemporary design.

Cloakroom

Three options of cloakroom sized washbasins including a choice of rounded, high or framed rim basins in a choice of mineral cast or ceramic finishes.

Mineral Cast basins offer dimensional accuracy. Ceramic basins are subject to manufacturing variations of up to +/- 3% overall. Bowl width and depth dimensions specified are for guideline purposes only and may be subject to variation.

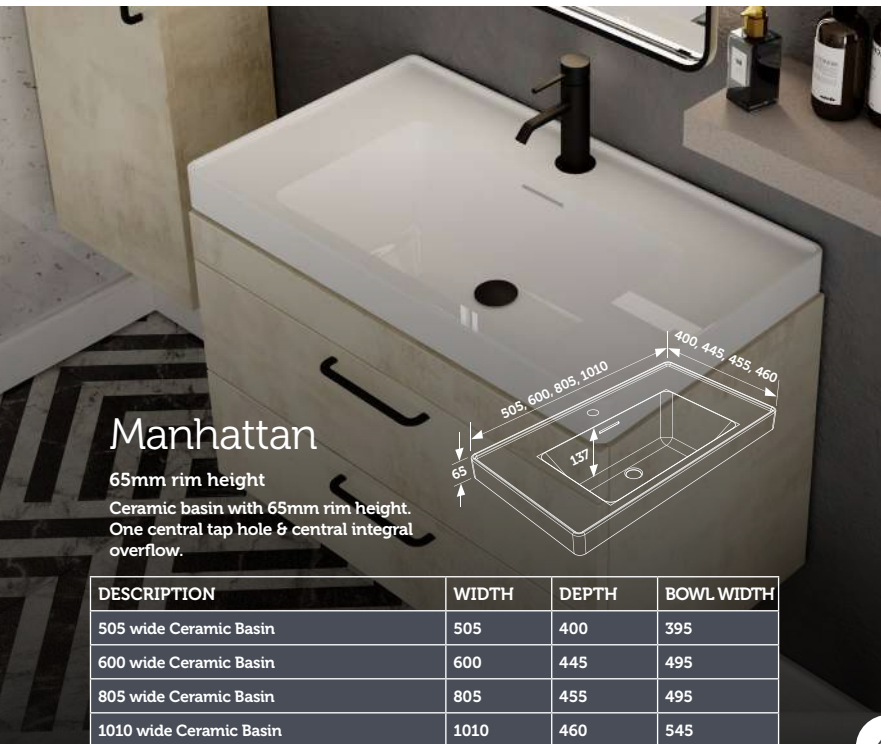


Simplicity Plus

25mm rim height

Mineral cast basin with 25mm rim height. One central tap hole & central external overflow.

DESCRIPTION	WIDTH	DEPTH	BOWL WIDTH
510 wide Mineral Cast Basin	510	440	410
610 wide Mineral Cast Basin	610	440	510
710 wide Mineral Cast Basin	710	440	510
810 wide Mineral Cast Basin	810	440	510
910 wide Mineral Cast Basin	910	440	510



Manhattan

65mm rim height

Ceramic basin with 65mm rim height. One central tap hole & central integral overflow.

DESCRIPTION	WIDTH	DEPTH	BOWL WIDTH
505 wide Ceramic Basin	505	400	395
600 wide Ceramic Basin	600	445	495
805 wide Ceramic Basin	805	455	495
1010 wide Ceramic Basin	1010	460	545



Tribeca

35mm rim height

Ceramic basin with 35mm rim height. One central tap hole & central integral overflow.

DESCRIPTION	WIDTH	DEPTH	BOWL WIDTH
610 wide Ceramic Basin	610	465	510
810 wide Ceramic Basin	810	465	710
1010 wide Ceramic Basin	1010	465	910

Round Arco Wing

15mm rim height

Mineral cast basin, left or right handed wing with 15mm rim height. One central tap hole & offset integral overflow.

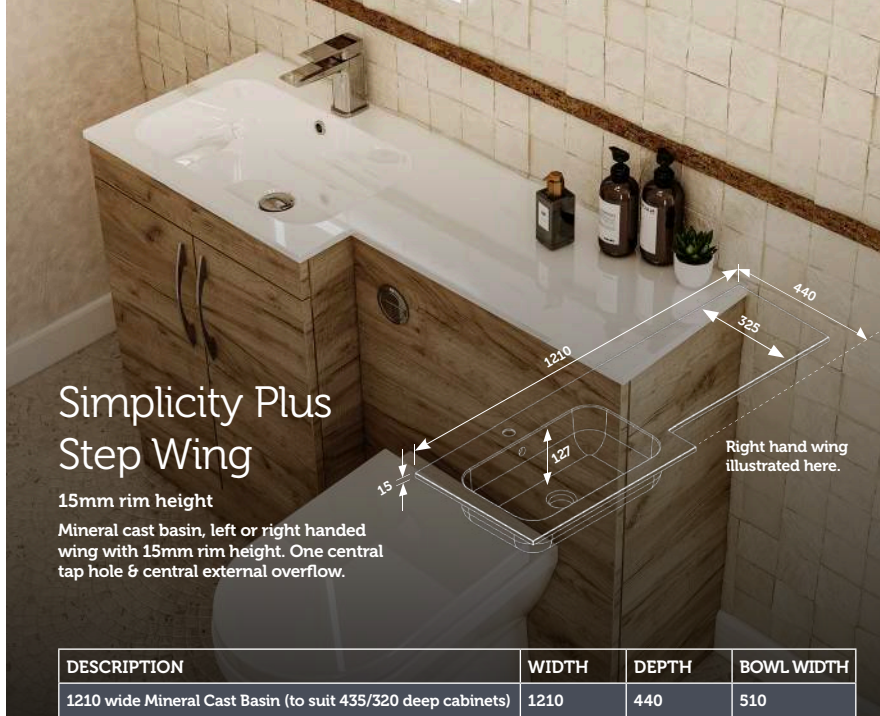


DESCRIPTION	WIDTH	DEPTH	BOWL WIDTH
1210 wide Mineral Cast Basin (to suit 220 deep cabinet)	1210	360	430
1210 wide Mineral Cast Basin (to suit 320 deep cabinet)	1210	460	430

Simplicity Plus Step Wing

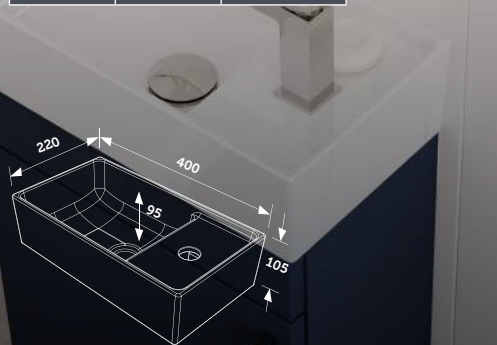
15mm rim height

Mineral cast basin, left or right handed wing with 15mm rim height. One central tap hole & central external overflow.



DESCRIPTION	WIDTH	DEPTH	BOWL WIDTH
1210 wide Mineral Cast Basin (to suit 435/320 deep cabinets)	1210	440	510

DESCRIPTION		
400 wide Ceramic Basin		
WIDTH	DEPTH	BOWL WIDTH
400	220	250



Manhattan Mini (Cloakroom)

105mm rim height

Ceramic basin with 105mm rim height. One side tap hole & with integral overflow.

DESCRIPTION		
450 wide Ceramic Basin		
WIDTH	DEPTH	BOWL WIDTH
450	285	280



Bordo (Cloakroom)

30mm rim height

Ceramic basin with 30mm rim height. One side tap hole & with integral overflow.

DESCRIPTION		
400 wide Mineral Cast Basin		
WIDTH	DEPTH	BOWL WIDTH
400	220/290	330



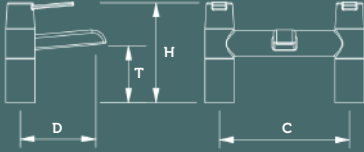
Eva (Cloakroom)

105mm rim height

Mineral Cast basin with 105mm rim height. One side tap hole & external offset overflow.

Brassware

Dimensioning



Description Example:
154h x 122d x 82t x 180c (0.1 bar)

Description shows:
Overall height x Tap centre depth x Outlet
height x Fixing Centres

(Minimum Operating Pressure)
Please note that all our taps have ceramic
cartridge internals and are suitable for high
and low water pressures

All handles, brassware & accessories have
been selected to complement one another.
Due to different materials being used
shading differences may apply.

Black Matt Avra



BASIN MIXER
Including Waste
Black Matt Finish
144h x 104d x 89t (0.2 bar)

TAP BMS BM - £209



BATH FILLER
Waste not included
Black Matt Finish
119h x 114d x 64t x 180c (0.5 bar)

TAP BMS BF - £279

Brass Brushed Avra



BASIN MIXER
Including Waste
Satin Brass Finish
147h x 105d x 91t (0.2bar)

TAP SB BM - £216



BATH FILLER
Waste not included
Satin Brass Finish
142h x 102d x 82t x 180c (0.2bar)

TAP SB BF - £318

Black Matt Round



BASIN MIXER
Including Waste
Black Matt Finish
168h x 125d x 78t (0.2 bar)

TAP BMR BM - £118



BATH FILLER
Waste not included
Black Matt Finish
147h x 112d x 60t x 180c (0.5 bar)

TAP BMR BF - £156

Chrome Avra



MINI BASIN MIXER
Includes Waste
Chrome Finish
140h x 120d x 107t (0.2 bar)

TAP AV MBM - £127



BASIN MIXER
Includes Waste
Chrome Finish
150h x 123d x 110t (0.2 bar)

TAP AV BM - £139



TALL BASIN MIXER
Waste not included
Chrome Finish
270h x 140d x 237t (0.5 bar)

TAP AV TBM - £233



BATH FILLER
Waste not included
Chrome Finish
126h x 106d x 80t x 180c (0.5 bar)

TAP AV BF - £223



BATH FILLER & SHOWER MIXER
Waste not included
Chrome Finish
126h x 106d x 80t x 180c (0.5 bar)

TAP AV BSM - £241



*Co-ordinating Handles available.

Chrome Contemporary Round



MINI BASIN MIXER
Including Waste
Chrome finish
142h x 82d x 75t (0.5 bar)

TAP CR MBM - £91



BASIN MIXER
Including Waste
Chrome finish
186h x 106d x 99t (0.1 bar)

TAP CR BM - £97



TALL BASIN MIXER
Waste not Included
Chrome finish
309h x 133d x 211t (0.1 bar)

TAP CR TBM - £145



BATH FILLER
Waste not included
Chrome finish
143h x 110d x 69t x 180c (0.2 bar)

TAP CR BF - £130



BATH FILLER & SHOWER MIXER
Waste not included
Chrome finish
143h x 110d x 69t x 180c (0.2 bar)

TAP CR BSM - £159



Chrome Contemporary Square



MINI BASIN MIXER
Including Waste
Chrome finish
120h x 80d x 48t (0.5 bar)

TAP CS MBM £77



BASIN MIXER
Including Waste
Chrome finish
150h x 101d x 61t (0.5 bar)

TAP CS BM £104



BATH FILLER
Waste not Included
Chrome finish
118h x 110d x 46t x 180c (1 bar)

TAP CS BF £164



BATH FILLER & SHOWER MIXER
Waste not Included
Chrome finish
118h x 110d x 46t x 180c (1 bar)

TAP CS BSM £192



Chrome Square Curved



MINI BASIN MIXER
Including Waste
Chrome finish
130h x 108d x 75t (0.2 bar)

TAP SC MBM £92



BASIN MIXER
Including Waste
Chrome finish
156h x 113d x 79t (0.2 bar)

TAP SC BM - £105



TALL BASIN MIXER
Including Waste
Chrome finish
314h x 123d x 253t (0.2 bar)

TAP SC TBM £253



BATH FILLER
Waste not included
Chrome finish
154h x 122d x 80t x 180c (0.5 bar)

TAP SC BF - £186



BATH FILLER & SHOWER MIXER
Waste not included
Chrome finish
154h x 122d x 80t x 180c (0.5 bar)

TAP SC BSM - £219



Chrome Brassware

Chrome Lugano Round



BASIN MIXER
Includes Waste
Chrome Finish
139h x 105d x 83t (0.5 bar)

TAP LU BM £95



BATH FILLER
Waste not included
Chrome Finish
119h x 114d x 64t x 180c (1 bar)

TAP LU BF £161



BATH FILLER & SHOWER MIXER
Waste not included
Chrome finish
119h x 114d x 64t x 180c (1 bar)

TAP LU BSM £195



Accessories

Basin Overflow Ring

All basins are supplied with chrome overflow rings as standard



£10

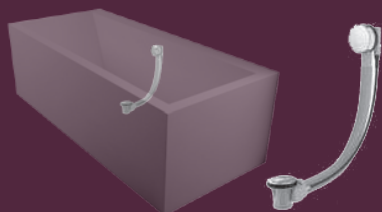
Basin Overflow Ring

Available in two finishes

	Black Matt	Satin Brass
SIMPLICITY	OR S BM	OR S SB
MANHATTAN	OR M BM	OR M SB
TRIBECA	OR T BM	OR T SB

Pop-Up Bath Waste

Available in chrome finish only

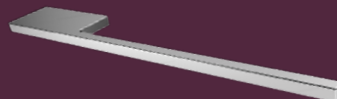


Chrome
WASTE BATH CR - £79

Cabinet Towel Rail

Available in two finishes

10h x 350w x 50d



Chrome
CAB RAIL CR - £48

Black Gloss
CAB RAIL BC - £82

Round



TOWEL RING
In Chrome finish
196h x 180w x 72d

AC 100 - £32



TOWEL RAIL
In Chrome finish
42h x 600w x 72d

AC 105 - £39



SOAP DISH & HOLDER
In Chrome finish
46h x 118w x 129d

AC 102 - £32



TUMBLER & HOLDER
In Chrome finish
95h x 108w x 98d

AC 103 - £32



PAPER HOLDER
In Chrome finish
136h x 144w x 72d

AC 101 - £38



TOILET BRUSH & HOLDER
In Chrome finish
336h x 144w x 120d

AC 104 - £48

Basin Waste



NANO WASTE FITTING
Space saving pop-up
waste fitting

NANO WASTE - £55



PUSH FIT TRAP
Height under basin 54mm.
To suit push fit waste pipe flex-
ible de-siphoning valve

SSTRAP - £40

Slotted Basin Waste

Push Type



Pop-Up waste
in polished
chrome finish

Chrome
WASTE SLOTTED CR £30

Black
WASTE SLOTTED BC £30

Brushed Satin
WASTE SLOTTED SB £30

Slotted wastes are designed for basins
with overflow system.

Feature Glass Shelf



Width:
280mm GFS30 - £83
330mm GFS35 - £84
380mm GFS40 - £88
580mm GFS60 - £93
680mm GFS70 - £97
780mm GFS80 - £107

Curved clear glass
shelf with two chrome
support brackets 8mm
thick 120mm deep

Extra glass shelf bracket



ASBRK - £16
(priced per pair)

Free Sample Swatch Service

Sample Swatches

Choosing the perfect finish for your bathroom furniture is never an easy choice, and so we encourage our customers to take advantage of our sample swatch service to order up to five FREE colour swatches to be delivered to your address.

Simply email sales@merewaybathrooms.co.uk or call our customer support team on 0121 706 5750 with the details of the swatch colours you require. We encourage you to take advantage of this service as photographic and printing processes for some colours may not be a true reflection of the actual product in natural light.

Swatch samples 140mm x 100mm

Bathroom COLORE

Colour Guide

Gloss	50
Stone & Metal Effect	51
Plain Woodgrain	53
Woodgrain	55
Matt Plain	58

Bathrooms designed with personality

Please note: Due to photographic & printing processes some colours may not be a true representation of the product. Please see sample for actual colour.

Gloss

Snow White Gloss

8685 MG

Sample Book No. 1

Gloss

Black Gloss

0190 MG

Sample Book No. 1

Gloss

Cool Grey Gloss

0191 MG

Sample Book No. 1

Gloss

Slate Grey Gloss

0171 MG

Sample Book No. 1

Gloss

Cashmere Gloss

5981 MG

Sample Book No. 1

Gloss

Satin Gloss

7045 MG

Sample Book No. 1

Stone & Metal Effect

White Chromix

F637 ST16

Sample Book No. 1

Stone & Metal Effect

Silver Chromix

F638 ST16

Sample Book No. 1

Stone & Metal Effect

Anthracite Chromix

F641 ST16

Sample Book No. 1

Stone & Metal Effect

Levanto White Marble

F812 ST9

Sample Book No. 1

NEW

AVAILABLE FROM:

March 2024

Stone & Metal Effect

Arigilla Stone

D4758 CB

Sample Book No. 1

NEW

AVAILABLE FROM:

March 2024

Stone & Metal Effect

Cupria Slate

F237 ST76

Sample Book No. 1

Plain Woodgrain

White Woodgrain

0101 GC

Sample Book No. 2

Plain Woodgrain

Creme Woodgrain

7031 GC

Sample Book No. 2

Plain Woodgrain

Mussel Woodgrain

5982 GC

Sample Book No. 2

Plain Woodgrain

Cashmere Woodgrain

5981 GC

Sample Book No. 2

Plain Woodgrain

Clay Grey Woodgrain

K096 GC

Sample Book No. 2

Plain Woodgrain

Stone Grey Woodgrain

0112 GC

Sample Book No. 2

Plain Woodgrain

Slate Grey Woodgrain

0171 GC

Sample Book No. 2

Plain Woodgrain

Dusk Blue Woodgrain

K097 GC

Sample Book No. 2

Plain Woodgrain

Alby Blue Woodgrain

5994 GC

Sample Book No. 2

Woodgrain

Kaiserberg Oak

H3349 ST19

Sample Book No. 3

Woodgrain

Light Select Walnut

K008 PW

Sample Book No. 3

Woodgrain

Grey Nordic Wood

K089 PW

Sample Book No. 3



Woodgrain

Grey Craft Oak

K002 PW

Sample Book No. 3



Woodgrain

Blonde Liberty Elm

K017 PW

Sample Book No. 3



Woodgrain

Carbon Marine Wood

K016 PW

Sample Book No. 3



Woodgrain

Elegant Black Woodgrain

00113 W07

Sample Book No. 3

Woodgrain

Natural Pacific Walnut

H3700 ST10

Sample Book No. 1

NEW

AVAILABLE FROM:

March 2024

Woodgrain

Caramel Franklin Walnut

K546 RW

Sample Book No. 3

Woodgrain

Tobacco Franklin Walnut

K547 RW

Sample Book No. 3

Woodgrain

Amber Baroque Oak

K536 RW

Sample Book No. 3

Woodgrain

Ristretto Baroque Oak

K537 RW

Sample Book No. 3

Woodgrain

Smoked Kala Ash

K548 RW

Sample Book No. 3

Matt Plain

Graphite Grey

U961 ST2

Sample Book No. 2

Matt Plain

Light Grey

U708 ST9

Sample Book No. 2

Matt Plain

Dust Grey
U732 ST9

Sample Book No. 2

Matt Plain

Onyx Grey
U960 ST9

Sample Book No. 2

Matt Plain

Monument Grey
U780 ST9

Sample Book No. 2

Matt Plain

Taupe Grey
U750 ST9

Sample Book No. 2

Matt Plain

Almond Beige

U211 ST9

Sample Book No. 1

NEW

AVAILABLE FROM:

March 2024

Matt Plain

Lava Grey

U741 ST9

Sample Book No. 2

Matt Plain

Sage Green

U638 ST9

Sample Book No. 4

Matt Plain

Reed Green

U604 ST9

Sample Book No. 4

Matt Plain

Smoke Green

K521 SU

Sample Book No. 4

Matt Plain

Dark Emerald

K520 SU

Sample Book No. 4

Matt Plain

Fjord Green

U636 ST9

Sample Book No. 4

Matt Plain

Denim Blue

U540 ST9

Sample Book No. 4

Matt Plain

Petrol
0244 SU
Sample Book No. 4

NEW

AVAILABLE FROM:
March 2024

Matt Plain

Misty Blue
U502 ST9
Sample Book No. 4

Matt Plain

Tyrolean Blue
U504 ST9
Sample Book No. 4

Matt Plain

Alby Blue
5994 BS
Sample Book No. 4

Matt Plain

Indigo Blue
U599 ST9

Sample Book No. 4

Matt Plain

Black
U999 ST2

Sample Book No. 4

NEW

AVAILABLE FROM:
March 2024

Matt Plain

Gamet Red
U399 ST9

Sample Book No. 1

Matt Plain

Rusty Red
U335 ST9

Sample Book No. 4

Matt Plain

Antique Rose

U325 ST9

Sample Book No. 4

Matt Plain

Deep Sahara

K514 SU

Sample Book No. 4

Matt Plain

Toffee

K516 SU

Sample Book No. 4

Matt Plain

Sand Yellow

U125 ST9

Sample Book No. 1

NEW

AVAILABLE FROM:

March 2024

Matt Plain

Sunshine

U136 BST

Sample Book No. 3

Matt Plain

Goldfish Orange

U279 BST

Sample Book No. 3

Matt Plain

Candy Red

U137 BST

Sample Book No. 3

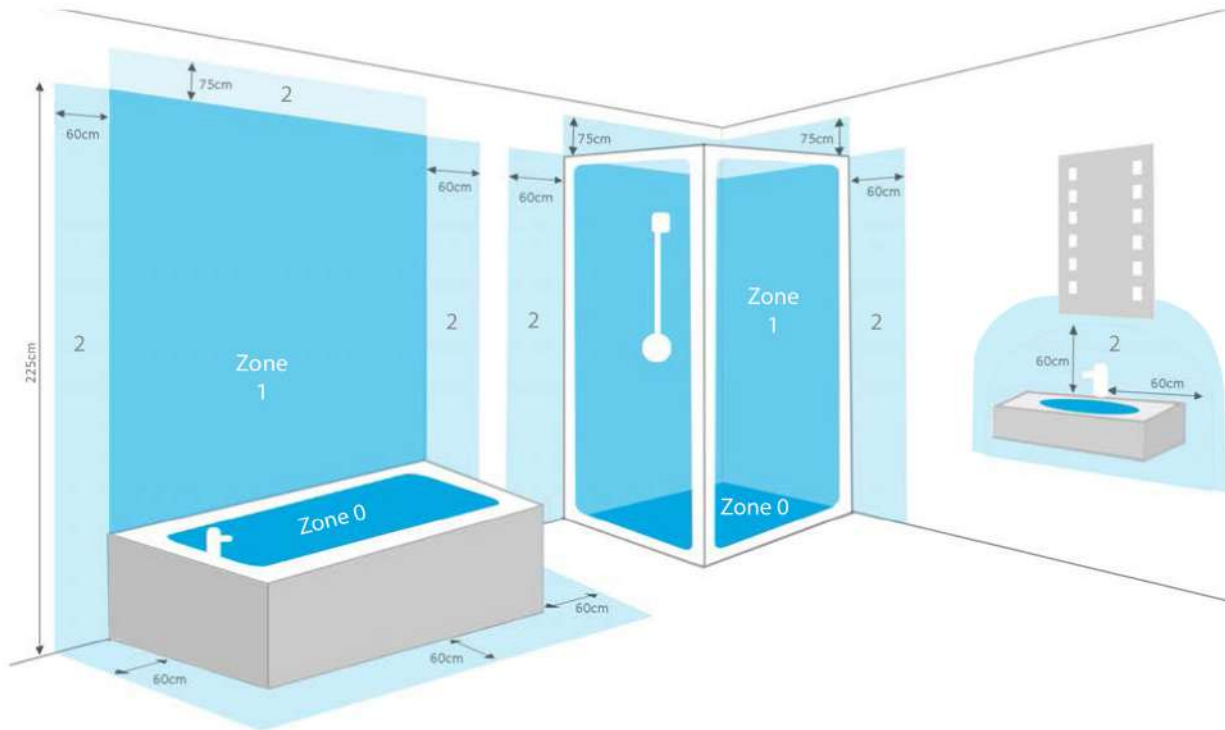
Matt Plain

Light Lavender

U816 BST

Sample Book No. 3

Lighting Safety Zone Guide



Zone 0

Inside the bath or shower.
Must be SELV type fittings installed.
(Separated Extra Low Voltage -12v Max) due to water immersion.
Minimum rating IP67

Zone 1

225cm above the bath or shower.
Minimum rating IP44

If there is a likelihood of water jets being used for cleaning IP 67 rated fittings must be used as IP44 is unsuitable.

Zone 2

The area stretching up to 60cm outside the perimeter of the bath, shower or water outlet of basin. Minimum rating IP44

If there is a likelihood of water jets being used for cleaning IP 67 rated fittings must be used as IP44 is unsuitable.

OUTSIDE ZONES - Anywhere outside zones 0, 1 & 2, where water jets are not used for cleaning purposes, the general rules of BS7671 apply. Where water jets are used for cleaning IP67 rating must apply.

OUTSIDE ZONES - Any electrical circuits in a bathroom must be protected by a 240v 30mA Residual Current Device (RCD).

Safety - The latest IEE wiring regulations have identified specific zones within the bathroom to indicate which type of electrical equipment can be installed. The diagram above shows the three bathroom zones 0, 1 and 2. With this in mind our low voltage lighting fittings have a minimum rating of IP44. We recommend that you use a registered electrician to carry out any electrical installation.

Terms & Conditions



Maintenance and Aftercare

Due to the nature of the materials used, bathroom furniture will be adversely affected by water spillage or heavy condensation. To avoid any deterioration in the cabinets or work surfaces it is important to wipe dry any excess moisture. Please note when cleaning cabinets use a cloth dampened with soapy water, do not use any abrasive cleaners or solvents. We recommend adequate ventilation by installing an extractor fan connected to an outside wall to reduce the harmful effects of condensation. This will minimise the risk of damage that can be caused to these products by prolonged exposure to moisture which bathrooms are prone to.



Installation

The installation should be in accordance with our fitting instructions. It is important that a waterproof sealant is used to seal any raw edges especially around basins and worktop joints. It is particularly important to seal along bath panel edges both vertically and horizontally.



Electrical Recommendations

If any electrical fittings are to be installed ensure that all installation of any electrical fittings such as lights and shaving sockets are carried out by a qualified electrician and conform with local building regulations. If you are in any doubt contact your local council Building Control office.



Guarantee

All Bathroom Colore bathroom furniture is manufactured to the highest quality, therefore all cabinets carry a 5 year guarantee. Guarantee details in full can be found on our website.

General Conditions of Sale

All goods are sold subject to the company conditions of sale. A full copy of our terms and conditions are available to view on our website. We would however like to draw your attention to the following conditions:



- Goods should be carefully inspected on delivery as claims for damage or shortage can only be accepted if made in writing within 7 days of receipt of goods.
- We retain title of any goods supplied until payment has been made in full.
- In line with our company policy of continuous product development we reserve the right to alter, amend or re-specify any product illustrated without prior notice. E&OE

Delivery Zones & Charges

Zone A

Order Value over £250 - carriage free.
Inner Circle: Orders under £250 - subject to £55 delivery charge.
Postcodes: B, CV, WR, DY, WS, DE

Outer Zone: Orders under £250 - subject to £75 delivery charge

Zone B

Order over £250 - delivery free.
Orders under £250 - subject to £130 delivery charge.

Carrier/Postage

48 hour
This service is available for small, urgent items and will be charged at standard courier/Royal Mail prices.

This is a signed for service, so we ask that parcels are checked for signs of damage prior to accepting delivery.

Carriers & Remedial Service

Please note, our carrier service can be used to order urgent items. However some items are not suitable for transport by carrier companies, i.e. large panels/tall units, ceramicware etc. If this is the case, we will arrange to send them on the next available delivery to your area. For carrier charges please contact our sales office.

Deliveries to Scotland

Deliveries to Scotland are made in a 40ft articulated lorry on a weekly basis only. Please note we are unable deliver on a smaller vehicle

Site Delivery

Zone A site deliveries are available at an additional charge, prices for other Zones can be obtained from our sales office and may be made using a third party. Site deliveries are kerbside only and dependent upon access with an 18 tonne or 40ft arctic vehicle. When we are delivering to site/home someone representing the showroom/retailer will need to be there to assist the driver and sign for the delivery.

Zone A site delivery charge £75
Zone B site delivery charge POA



Bathroom COLORE

2024 Brochure

MerewayBathrooms®

We are a family business and have been manufacturing furniture for over 25 years. Our commitment to quality and a focus on innovation has meant that we have developed into one of the UK's most well known and highly regarded bathroom furniture brands. All of our furniture is manufactured in our factory in the UK and each cabinet is made to order.



www.merewaybathrooms.co.uk

Colour reproduction: We take great care in the imagery within our brochure. However due to variables in the printing process, colours may vary from the physical product. We recommend that a sample is viewed for the true colour and finish. The images may show optional accessories which do not form part of our standard specification. All copyright and all other intellectual property rights are the property of Mereway Bathrooms and no persons can reproduce any part of this brochure/price list by any means, electronic or mechanical, without our written permission and will be liable to prosecution.

2024BCPRICELIST